

# PHILIPPGROUP

## PHILIPP Loop anchor



VB3-T-086-en - 03/20 - PDF

Version: offset

Data sheet

## Transport and mounting systems for prefabricated building

### ■ Technical department

Our staff will be pleased to support your planning phase with suggestions for the installation and use of our transport and mounting systems for precast concrete construction.

### ■ Special designs

Customized to your particular needs.

### ■ Practical tests on site

We ensure that our concepts are tailored precisely to your requirements.

### ■ Inspection reports

For documentation purposes and your safety.

### ■ On-site service

Our engineers will be pleased to instruct your technicians and production personnel at your plant, to advise on the installation of precast concrete parts and to assist you in the optimisation of your production processes.

### ■ High safety level when using our products

Close cooperation with federal materials testing institutes (MTIs), and official approvals for the use of our products and solutions whenever necessary.

### ■ Software solutions

The latest design software, animated videos and CAD libraries can always be found under [www.philipp-gruppe.de](http://www.philipp-gruppe.de).

### ■ Engineering contact

Phone: +49 6021 4027-318  
Fax: +49 6021 4027-340  
E-mail: [technik@philipp-gruppe.de](mailto:technik@philipp-gruppe.de)

### ■ Sales contact

Phone: +49 6021 4027-300  
Fax: +49 6021 4027-340  
E-mail: [vertrieb@philipp-gruppe.de](mailto:vertrieb@philipp-gruppe.de)



**Content**

- Loop anchor with offset ..... Page 4
  - Description ..... Page 4
  - Dimensions ..... Page 4
- General notes ..... Page 5
  - Materials ..... Page 5
  - Marking ..... Page 5
- Safety ..... Page 6
  - Safety notes ..... Page 6
  - Storage of the precast elements ..... Page 6



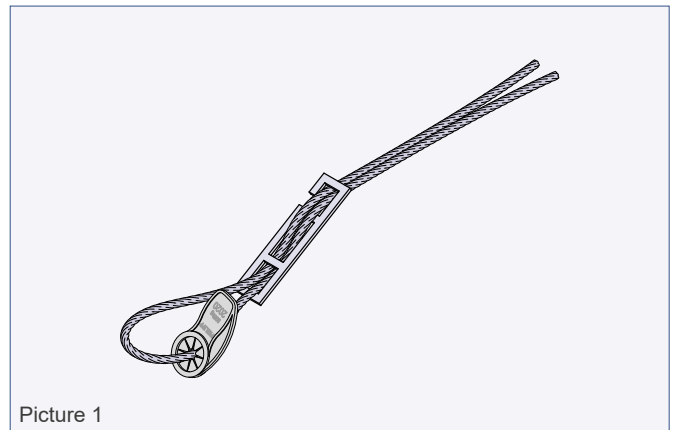
## PHILIPP Loop anchor with offset

The Loop anchor with offset is part of the PHILIPP Transport anchor system.

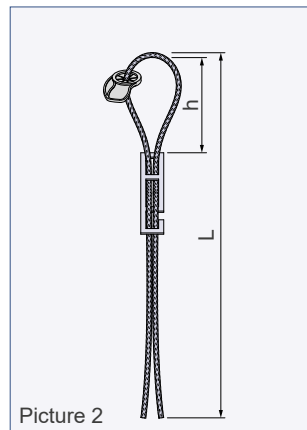
Its use requires the compliance with the General Installation Instruction.

Loop anchors with offset are designed for the transport of precast concrete units only. Multiple use within the transport chain (from production to installation of the unit) means no repeated usage. A repeated use (e.g. ballasts for cranes) is not allowed.

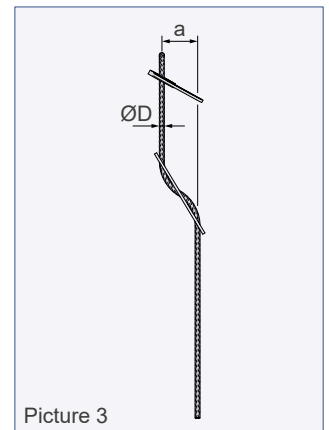
Depending on the individual application and load direction, it might be necessary to contact our technical department.



Picture 1



Picture 2



Picture 3



For individual advice or special lifting solutions please contact our technical department under +49 6021 4027-318 or by e-mail to [technik@philipp-gruppe.de](mailto:technik@philipp-gruppe.de).

**Table 1: Dimensions**

Ref. no.	Type	perm. F ① [kN]	Colour code	Dimensions				Weight [kg/pc.]
				ØD ② [mm]	L ③ [mm]	a [mm]	h ③ [mm]	
44SA06	AS 0.8	8.0	Pure white	6.0	430	40	110	0.26
44SA07	AS 1.2	12.0	Flame red	7.0	430	40	110	0.35

① Given load capacities are steel load capacities with axial loads.

② Rope diameter ØD is a standard value and can vary depending on the wire rope construction.

③ Dimensions H and B are standard values and can vary.

## General notes

### Materials

Loop anchor with offset consists of a galvanized wire rope loop fixed on a bright steel strap. This strap forms the actual offset of the Loop anchor.

### Marking

In order to identify the different types of the Loop anchor with offset visually they are marked with a coloured tag. This tag must also be visible at the segment sticking out after concreting. With its fins the tag guarantees an easy fixing to this part of the Loop anchor sticking out of the element.

Following data are given on the tag:

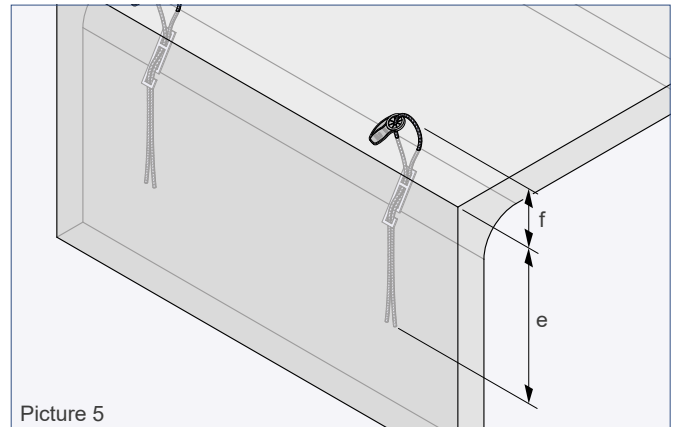
- Manufacturer (PHILIPP)
- CE mark ①
- Bearing capacity (e.g. 1200 kg)
- Year of manufacturing (e.g. 2020)
- Illustration of the installation dimensions



① The EC Declaration of Conformity (DoC) of the Loop anchor with offset is available on request or can be downloaded from our website [www.philipp-group.de](http://www.philipp-group.de).



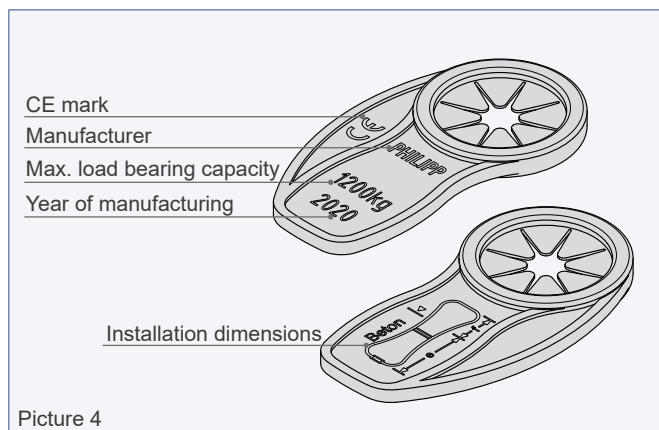
### Installation dimensions



Picture 5

Table 2: Installation dimensions

Type	e [mm]	f [mm]
AS 0.8	375	55
AS 1.2	375	55



Picture 4

## Safety

### Safety notices

By using too small, too large or sharp-edged hooks the lifetime of the wire rope loop will be reduced. The transition radii of used hooks must be at least 1.75 times of the wire rope diameter of the Loop anchor (Picture 6). Using a shackle the pin must be at least 3.5 times of the wire rope diameter of the Loop anchor (picture 7).

During use of Loop anchor with offset the following must be considered:

- The use of damaged Loop anchors with broken strands, contusions, kinks and corrosion pits is not allowed.
- Contact of the Loop anchor with offset with acids and alkalis must be avoided.
- Lever arms caused by rotating, tilting and swinging which result in local blow-out failures in the concrete or broken wire ropes are inadmissible!

### Storage of the precast units

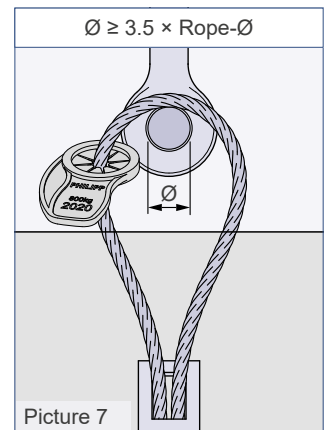
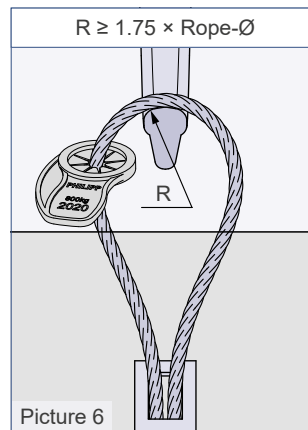
During storage of the concrete units please make sure that the Loop anchors with offset are not bent in any way.

These lifting anchors are particularly suitable for stacking U-shaped prefabricated parts without the lifting anchors colliding with a component above.

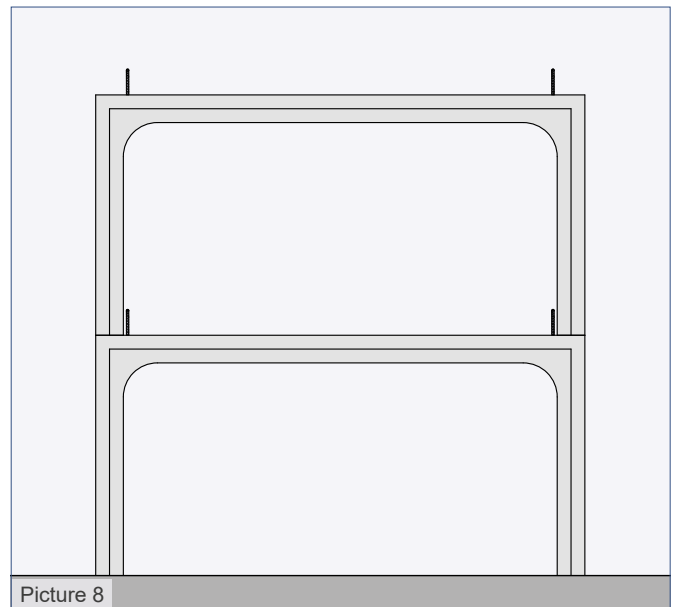
An outdoor storage of the concrete units can lead to corrosion and as a result to a reduction of the bearing capacity.

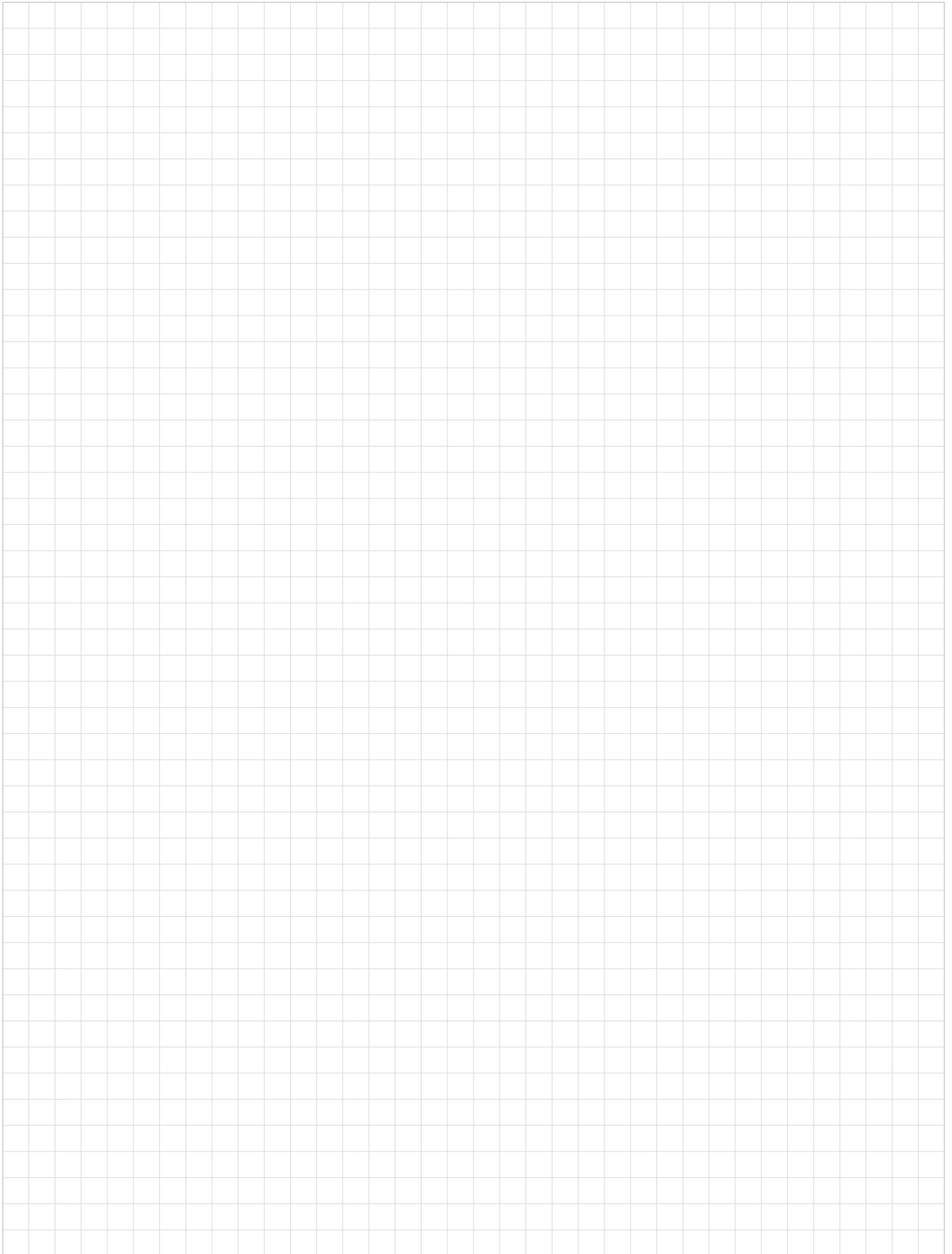


If a significant corrosion appears to the installed Loop anchors with offset they cannot be used for lifting anymore.



Welding or other strong heat influences on the Loop anchors with offset are not allowed at all.



**Notes:**

Our customers trust us to deliver.

We do everything in our power to reward their faith and we start each day intending to do better than the last. We provide strength and stability in an ever-changing world. We provide it support.

## Welcome to the PHILIPP Group

Sustainable  
solutions

**PHILIPP**GROUP



### **PHILIPP GmbH**

Lilienthalstrasse 7-9  
D-63741 Aschaffenburg  
Phone: + 49 6021 40 27-0  
Fax: + 49 6021 40 27-440  
info@philipp-group.de

### **PHILIPP GmbH**

Roßlauer Strasse 70  
06869 Coswig/Anhalt  
Phone: + 49 34903 6 94-0  
Fax: + 49 34903 6 94-20  
info@philipp-group.de

### **PHILIPP GmbH**

Sperberweg 37  
41468 Neuss  
Phone: + 49 2131 3 59 18-0  
Fax: + 49 2131 3 59 18-10  
info@philipp-group.de

### **PHILIPP ACON Hydraulic GmbH**

Hinter dem grünen Jäger 3  
38836 Dardesheim  
Phone: + 49 39422 95 68-0  
Fax: + 49 39422 95 68-29  
info@philipp-group.de



### **PHILIPP Vertriebs GmbH**

Leogangerstraße 21  
5760 Saalfelden / Salzburg  
Phone + 43 6582 7 04 01  
Fax + 43 6582 7 04 01 20  
info@philipp-gruppe.at

For more information visit our website: [www.philipp-group.de](http://www.philipp-group.de)