

PHILIPPGROUP

PHILIPP Marking ring



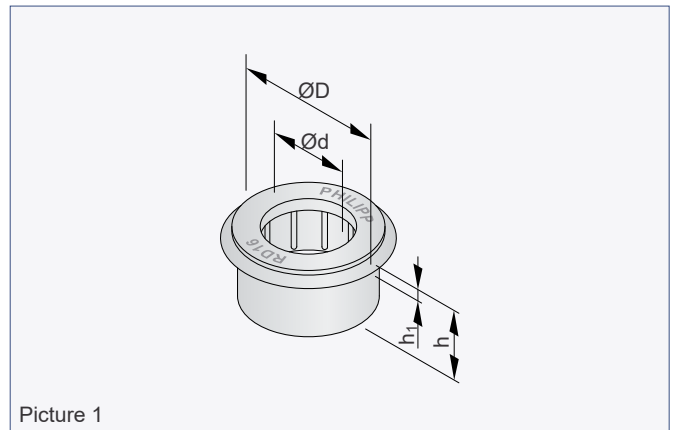
PHILIPP Marking ring

The Marking ring is part of the PHILIPP Threaded anchor system and is used for marking the installed anchor. The plastic Marking ring is put over the threaded insert during the installation of the anchor. Afterwards the threaded transport anchor is fixed to the mould (Picture 2).

Due to the colour-coded marking a quick and correct classification of the corresponding lifting device is ensured (Picture 3).



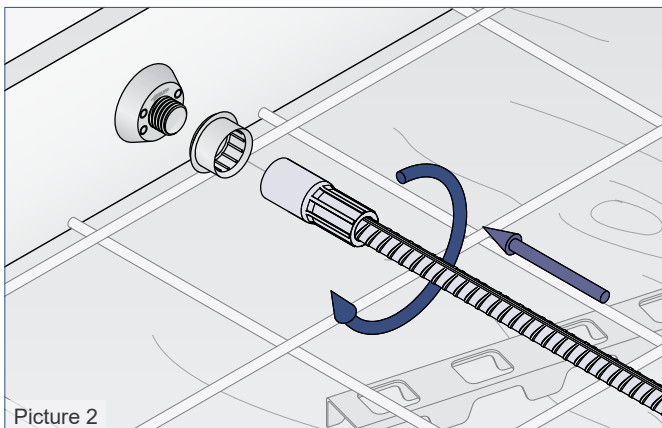
Marking ring only suitable for Threaded transport anchors in version galvanised.



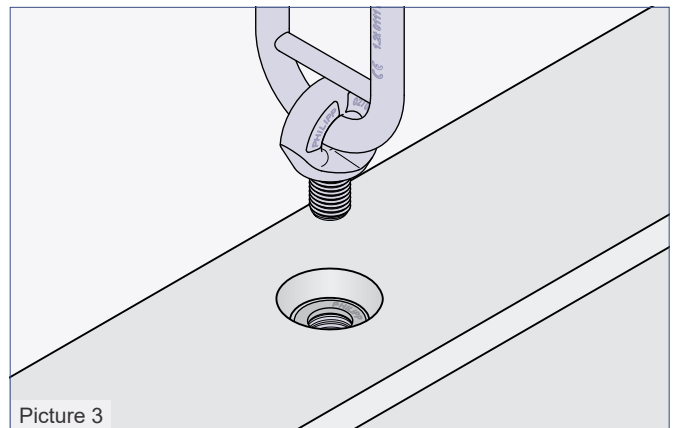
Picture 1

Table 1: Dimensions of the Marking ring

Ref.-No.	Type RD/M	ØD [mm]	Ød [mm]	h [mm]	h ₁ [mm]
74KR12	12	26	13	10	2,5
74KR14	14	30	15	15	2,5
74KR16	16	31	17	15	2,5
74KR18	18	35	19	15	2,5
74KR20	20	37	21	15	2,5
74KR24	24	41	25	15	2,5
74KR30	30	52	31	15	2,5
74KR36	36	57	37	15	2,5
74KR42	42	64	43	15	2,5
74KR52	42	80	53	15	2,5
74KR56	56	83	57	15	3,0
74KR60	60	89	61	15	3,0



Picture 2



Picture 3