

PHILIPPGROUP

PHILIPP Restraint dowel plate

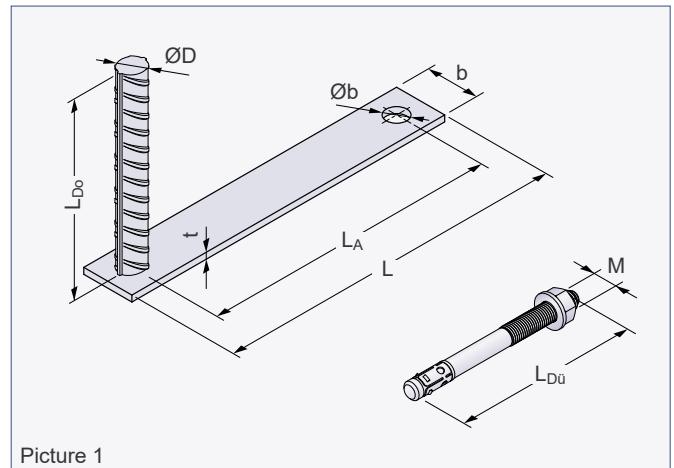


PHILIPP Restraint dowel plate

The Restraint dowel plate is used to fix precast reinforced concrete elements to their position (e.g. panels on a foundation or ground slab). The system consists of a flat steel with a welded pin (reinforcement bar) and can be supplied with or without an approved dowel.

The Restraint dowel plate creates a horizontal constructive connection between two concrete elements. Before mounting the pin must be stuck into the concrete element to be secured (e.g. with the PHILIPP Rebar Pocket 72DH...) (picture 2). After the element is placed at the final position it can be fixed through the drill hole of the flat steel by a screwed fastening (picture 3).

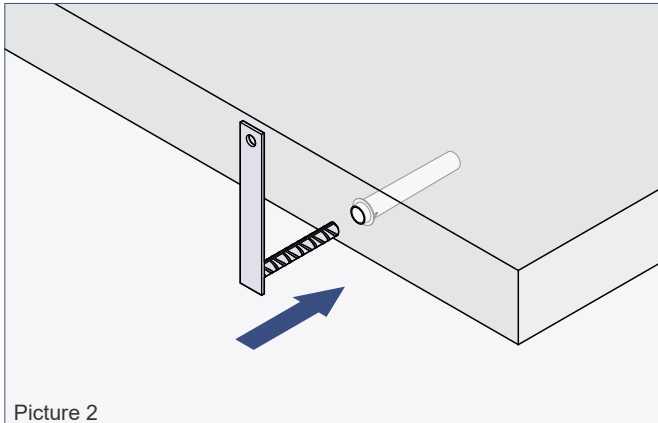
The dowel plate is available bright steel, hot-dip galvanised or primed (slight anti rust primer) version.



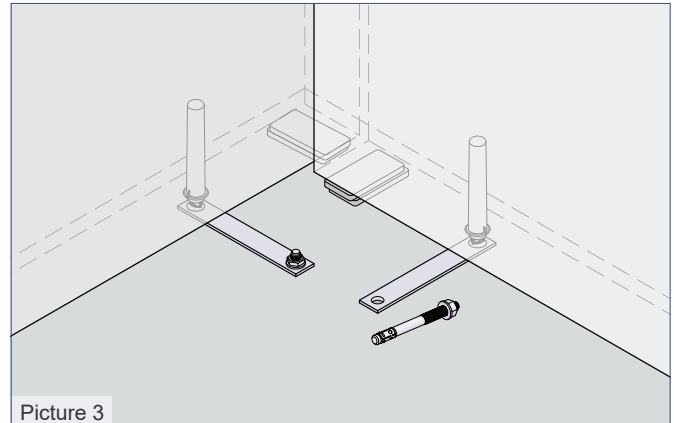
Picture 1

Table 1: Dimensions Restraint dowel plate

bright	Ref.-no.		Dimensions										Weight [kg/pc.]
	hot-dip galvanised	primed	LA [mm]	ØD [mm]	LDo [mm]	Øb [mm]	L [mm]	b [mm]	t [mm]	M	LDü [mm]		
1 × Restraint dowel plate + 1 × dowel													
72LDS220	72LDS220FV	72LDS220GR	220	20	150	18	260	40	5	16	135	1.00	
1 × Restraint dowel plate													
72LD220	72LD220FV	72LD220GR	220	20	150	18	260	40	5	-	-	0.77	



Picture 2



Picture 3