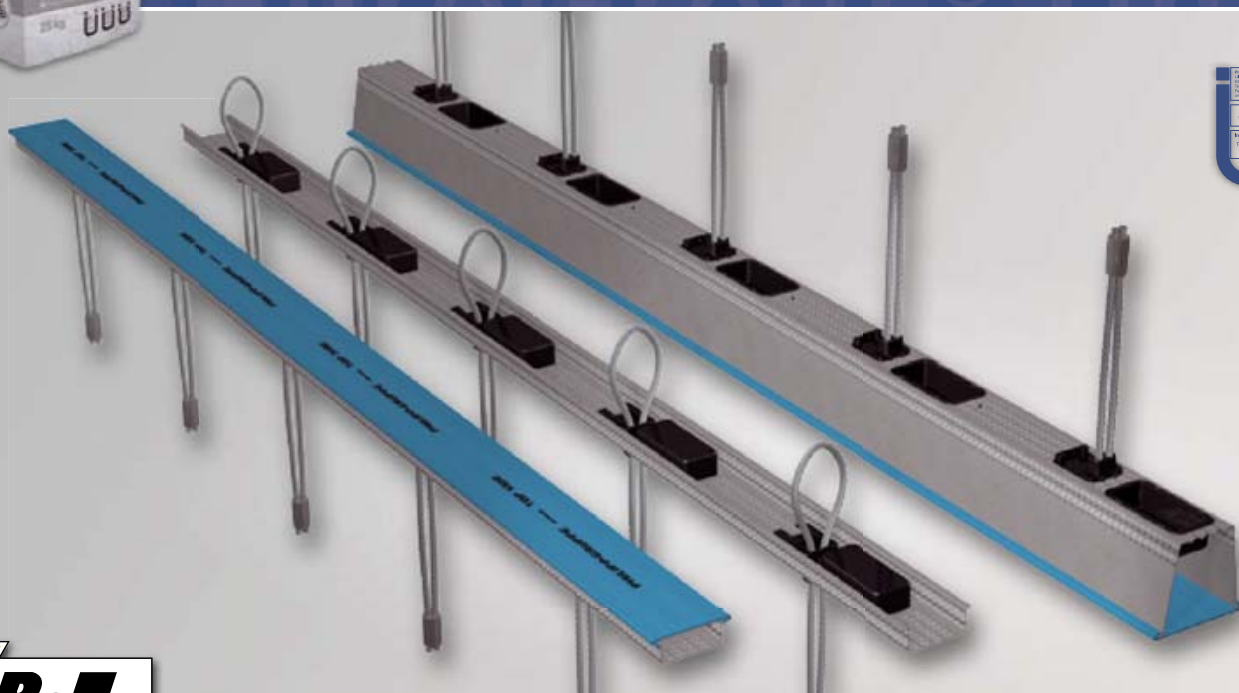


PHILIPPGROUP



EuroGrout® Universalfüller



VB3-V-014-en - 04/16



for the PHILIPP Power Duo System

Technical Data Sheet

P&T EuroGrout® Universalfüller (thixo mortar)

The EuroGrout® Universalfüller (thixo mortar) is a ready-for-use, cement-based dry mixture, shrink-free and with a high early and final strength. The EuroGrout® Universalfüller is a cement mortar for joints according to DIN EN 206-1 and DIN 1045-2, par. 5.3.8, and EN 1504-6.

Application

The EuroGrout® Universalfüller is used to fill constructive and static relevant horizontal or vertical joints of precast elements form-fit without any sealing.

Properties

The EuroGrout® Universalfüller

- has a controlled volume increase and is shrink-free. Therefore a form-fit connection between the precast elements is guaranteed
- is non-flammable according to DIN 4102/EN 13501-1 class A1 and therefore can be used for a fire-resistant grouting
- is free of chloride
- is mainly made of natural raw materials and preserves the environment
- has a good early strength even after just one day (see table)
- has a thixotropic consistency and is even stable at high joint heights
- is nearly free of chrome acc. to Directive 2003/53/EC



Following processing instructions are only for information. Please refer also to the information given in the Installation Instruction and the approval of the Power Duo system (Z-21.8-2066).

Processing

1. Pre-treatment

The joints to be grouted must be clean and free of grease, loose parts must be removed. All joint flanks must be wetted and surface-dried pale dump prior start of the grouting.

2. Water consumption

Approx. 14 - 15 % water (3.5 - 3.75 litres) per 25 kg bag.

3. Mixing

The Universalfüller is designed for a machine processing with mixing pumps.

If the grouting mortar is processed with small and handy mixing pumps long draws are possible and a frequent change of the mixing point is not required.

A manual processing of the Universalfüller must be done with a compulsory mixer or a slow stirrer in a mortar barrel. Here, 4/5 of the water amount is filled in the mixer, then the powder is added and after a short time of mixing the remaining water.

4. Grouting

Before grouting the consistency of the mortar must be checked. The flow diameter value of approx. 12 cm results in a stable grouting with a good processability. Then, the grouting is done slowly and continuously from the bottom to the top. Pay attention that no voids will be in the joint after grouting. When grouting in layers the overrun of the mortar must be removed and the joint trowelled.

5. Notes

Please refer to the mounting instructions given in the approval. Grouting shall be done by qualified persons only.

6. Post-treatment

Fresh grouted mortar must be protected against too fast drying by suitable measures (e.g. keep in moist) for 3-5 days.

Grain size of the mortar

- Grain size 0 - 2 mm

Consumption

25 kg dry mortar results in 13.75 litres green mortar. For 1.0 m³ you need about 1.850 kg dry mortar.

Storage

Store the mortar cool and dry. Direct sunlight has to be avoided. The mortar has a shelf-life of approx. 12 months (date of manufacture is given on the bag).

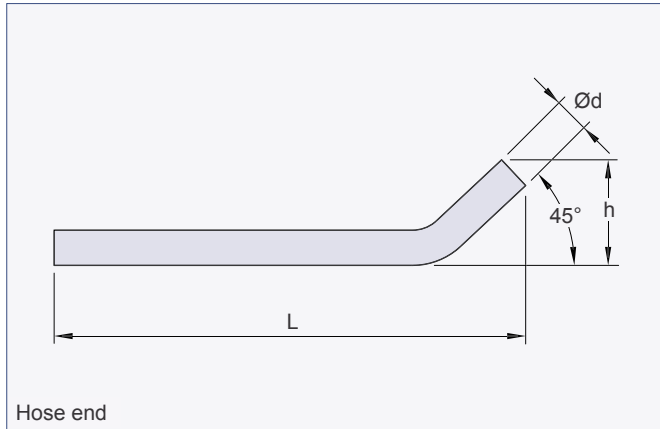
Packaging

25 kg paper/PE-bags with 42 × 25 kg = 1.050 kg per euro-pallet.

EuroGrout® Universalfüller

Table 1: Geometry hose end

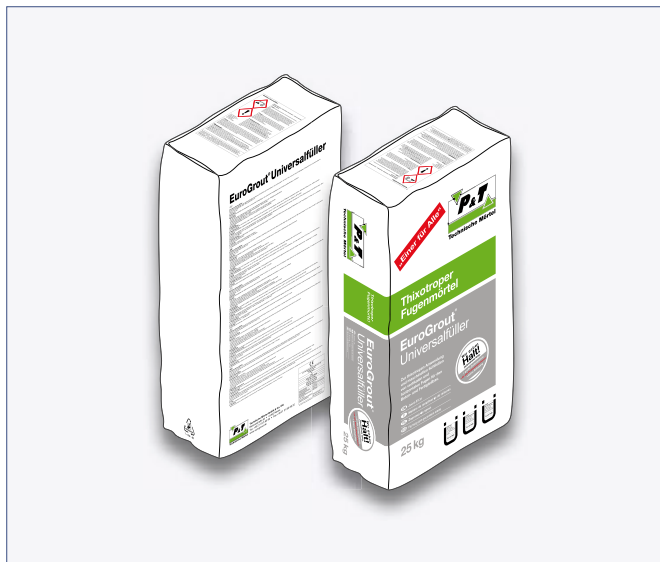
L	h	Ød
[mm]	[mm]	[mm]
250	45	15



Exposure classes acc. to DIN EN 206-1 / DIN 1045-2

XO	XC	XD	XS	XF	XA	XM
0 1 2 3 4	1 2 3	1 2 3	1 2 3	1 2 3 4	1 2 3 ①	1 2 3
• • • • •	• • •	• • •	• • •	• • • •	• • •	•

① = additional measures required (epoxy resin coating)



Technical data

Compression strength	
Days	[N/mm ²]
1	≥ 35
7	≥ 60
28	≥ 70

Bending tensile strength	
Days	[N/mm ²]
1	≥ 4.0
7	≥ 6.0
28	≥ 9.0

Pull-out resistance
≤ 0,6 mm with a load of 75 kN

Chloride ions content
≤ 0,05 %

Swelling measure
≥ +0.1 volume percentage

Processing time:
approx. 45 minutes

Processing temperature
+ 5°C - + 30°C

Please refer to the approval and Installation Instruction of the Power Duo System. These can be found at www.philipp-group.de or are available on request.



EuroGrout® Universalfüller is supplied by:

P&T Technische Mörtel GmbH & Co. KG

Abt. Auftragsbearbeitung
 Bataverstraße 84
 41462 Neuss, Germany

Contact:

Tel.: +49 (0) 2131 / 56 69-0
 Fax: +49 (0) 2131 / 56 69-22
www.eurogrout.de



The data given in the data sheet, the application-technical guidance and other recommendations are based on extensive research and experience. However, they are not binding and do not absolve the customer to check the products and procedures regarding their applicability for the intended use. All data are only guide values and are determined at +20°C.

Notes:

